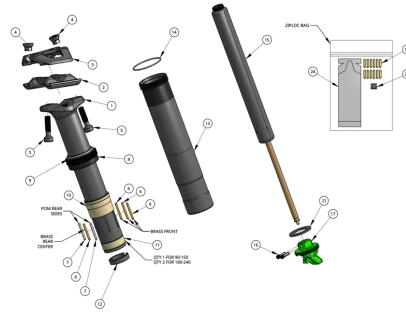


V3 Dropper Exploded View & Parts List



AVAILABLE SERVICE KITS	INDEX NUMBERS
V3 30.9/31.6/34.9 Actuator Kit: SP1C0094	16,17,21,25
V3 30.9/31.6/34.9 Rebuild kit: SP1C0095	6,7,8,9,10,11,12
V3 Seat Clamp Kit: SP1C0097	2,3,4,5
V3 Dropper Travel pin Kit: SP1C0098	14,18
V3 27.2 Actuator Kit: SP1C0099	16,17,21,25
V3 27.2 Rebuild kit: SP1C0100	6,7,8,9,10,11,12
CARTRIDGES	
90mm: SP1C0101 (For 27.2 & 30.9/31.6/34.9)	15
120mm: SP1C0103 (For 27.2 & 30.9/31.6/34.9)	15
150mm: SP1C0104	15
180mm: SP1C0105	15
210mm: SP1C0106	15
240mm: SP1C0107	15

INDEX	QTY	DESCRIPTION	SERVICE PARTS KIT
1	1	Upper Tube (Stanchion)	N/A
2	1	Lower Seat Clamp	SP1C0097
3	1	Upper Seat Clamp	SP1C0097
4	2	Seat Clamp Nut (steel)	SP1C0097
5	2	Seat Clamp Bolt (steel)	SP1C0097
6	4	Brass Guide Pin	SP1C0095 - 30.9/31.6/34.9 SP1C0100 - 27.2
7	2	Polymer Guide Pin	SP1C0095 - 30.9/31.6/34.9 SP1C0100 - 27.2
8	1	Mid Cap Assembly	SP1C0095 - 30.9/31.6/34.9 SP1C0100 - 27.2
9	1	SKF Mid Cap Seal (Dustwiper)	SP1C0095 - 30.9/31.6/34.9 SP1C0100 - 27.2
10	1	Upper Bushing	SP1C0095 - 30.9/31.6/34.9 SP1C0100 - 27.2
11	1-2	Lower Bushing *sizes 180-240mm use 2 lower bushings.	SP1C0095 - 30.9/31.6/34.9 SP1C0100 - 27.2
12	1	Cartridge Spacer	N/A
13	1	Lower Tube	N/A
14	1	MidCap O-ring	SP1C0095 - 30.9/31.6/34.9 SP1C0100 - 27.2
15	1	Cartridge	SP1C0101 - 90mm SP1C0103 - 120mm SP1C0104 - 150mm SP1C0105 - 180mm SP1C0106 - 210mm SP1C0107 - 240mm
16	2	Actuator Lock Bolt	SP1C0094
17	1	Actuator	SP1C0094 - 30.9/31.6/34.9 SP1C0099 - 27.2
18	11	Travel Pins	SP1C0098
21	1	Cartridge Washer	N/A
24	1	Slickoleum Grease, 5ML	N/A
25	1	Dropper Cable End	SP1C0094, SP1C0099